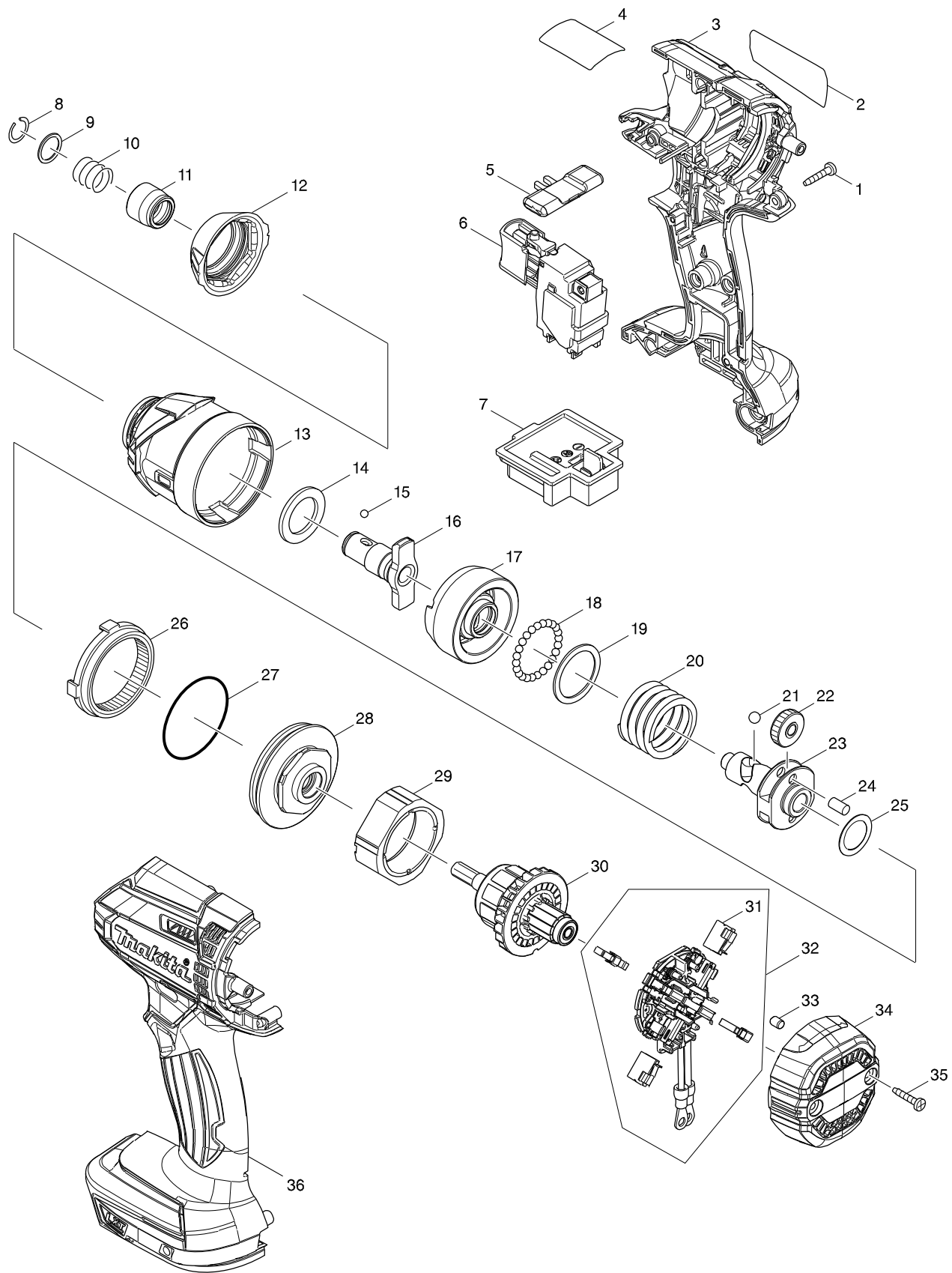


Model DTD152 CORDLESS IMPACT DRIVER



Položka	Objednávacie číslo	Popis	I/C	ks	N/O	Možnosť 1	Možnosť 2	Poznámka
001	266429-2	SKRUTKA 3X16MM		8				
002	851E29-7	DTD152 NAME PLATE		1				
003	183B63-4	HOUSING SET		1				
C10	263005-3	KOLÍK GUMA 6 2414		2				
D10		INC. 36						
005	455053-8	F/R CHANGE LEVER		1				
006	632F26-6	SWITCH UNIT		1				
C10	620445-2	LED CIRCUIT		1				
C20	688164-6	LINE FILTER		1				
007	643852-2	KONTAKT BATÉRIE BDF/BHP 456		1				
008	231951-8	PODLOŽKA PRUŽNÁ 11		1				
009	267085-1	PODLOŽKA 12		1				
010	233005-7	PRUŽINA PRÍTLAČNÁ 13		1				
011	326072-0	BIT SLEEVE		1				
012	424738-7	BUMPER		1				
013	143299-5	HAMMER CASE COMPLETE		1				
014	261151-6	NYLON WASHER 19		1				
015	216040-0	STEEL BALL 3.5		2				
016	326565-7	ANVIL M		1				
017	326564-9	HAMMER		1				
018	216040-0	STEEL BALL 3.5		24				
019	267175-0	PODLOŽKA 24 6914/16/18/6990D		1				
020	234251-5	COMPRESSION SPRING 25		1				
021	216041-8	STEEL BALL 5.6		2				
022	227362-3	SPUR GEAR 22		2				
023	326562-3	SPINDLE		1				
024	256253-1	KOLÍK 5		2				
025	253314-8	PODLOŽKA 15		1				
026	227378-8	INTERNAL GEAR 51		1				
027	213507-9	O-KRÚŽOK 40		1				
028	143298-7	BEARING BOX COMPLETE		1				
029	638396-5	MAGNETICKÉ PUZDRO		1	*			
029-1	632F93-1	YOKE UNIT	<	1				
030	619377-8	ARMATURE		1				
031	196854-2	CARBON BRUSH CB-448		2				
032	632F25-8	BRUSH HOLDER COMPLETE		1				
C10	688172-7	LINE FILTER		1				
C20	654037-5	INSULATED TERM. FT1.25-M3		2				
D10		INC. 31						
033	263032-0	KOLÍK GUMENÝ		4				
034	456044-2	REAR COVER		1				
035	266429-2	SKRUTKA 3X16MM		2				
036	183B63-4	HOUSING SET		1				
C10	263005-3	KOLÍK GUMA 6 2414		2				
D10		INC. 3						
A01C	346317-0	KLIP NA OPASOK BDF456/BHP456		1				
A01D	346449-3	HOOK		1				
A01H	346317-0	KLIP NA OPASOK BDF456/BHP456		1				

